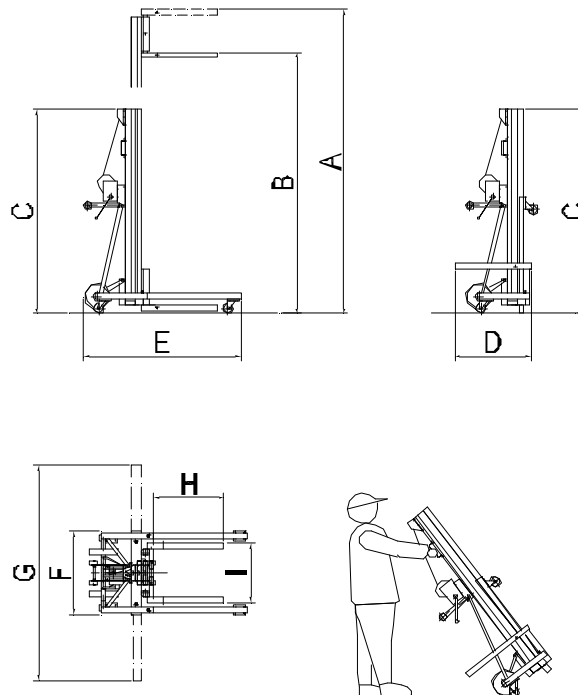


## ALP-Material-Lifts LMC-Series

as at 07/2010



	Notes \ Type		300	380	450	500	600	620
A	Maximum lifting height, upper load fork	mm	3360	3920	4830	5120	6290	6190
B	Lifting height, lower load fork	mm	2970	3530	4440	4730	5900	5800
	Capacity	kg	250	250	250	250	250	250
H	Length load fork	mm	650	650	650	650	650	650
I	Width load fork	mm	560	560	560	560	560	560
E	Chassis length	mm	1455	1455	1455	1660	1525	1725
F	Chassis width	mm	760	760	760	760	760	760
G	Width with outrigger extended	mm	1420	1420	1420	1420	1420	1420
C	Mast height	mm	1886	1600	1886	1600	1886	1600
D	Transport length	mm	720	720	760	760	760	780
F	Transport width	mm	760	760	760	760	760	760
	Deadweight (without outrigger)	kg	99	110	118	128	139	153

All rights reserved for changes in dimensions and construction!